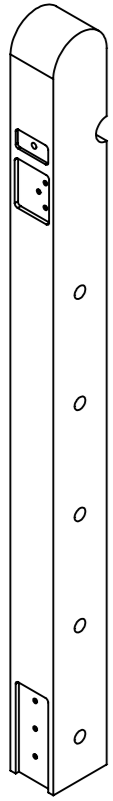
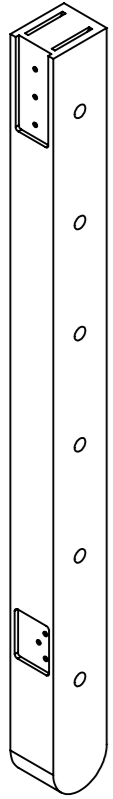


LIST OF KIT ELEMENTS

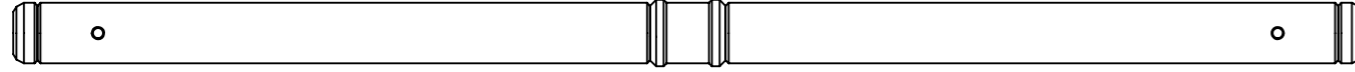
SCALA Basic



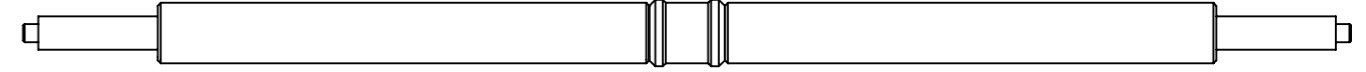
Beam A
2 pcs



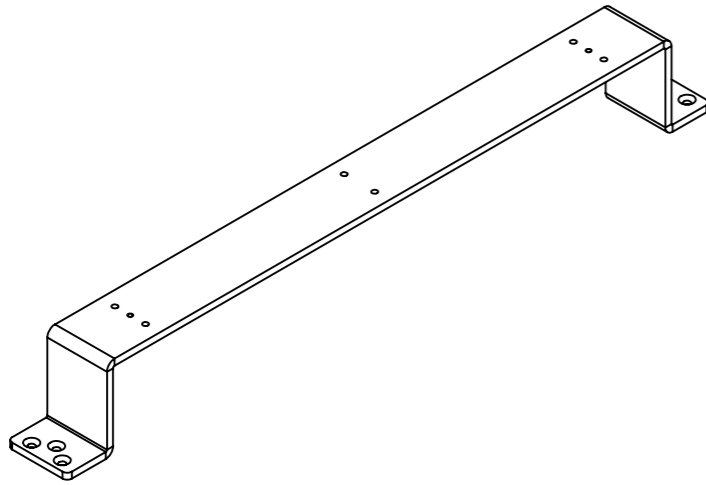
Beam B
2 pcs



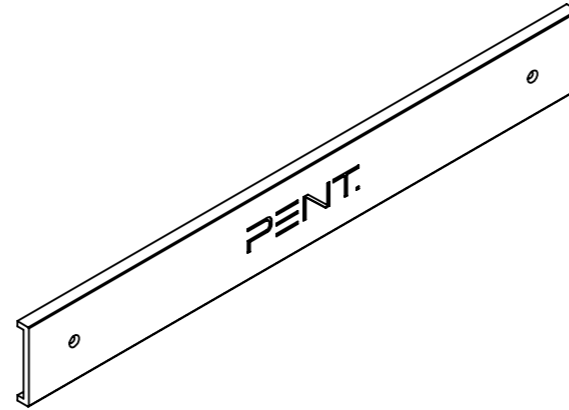
Top Permanent Rug
1 pc



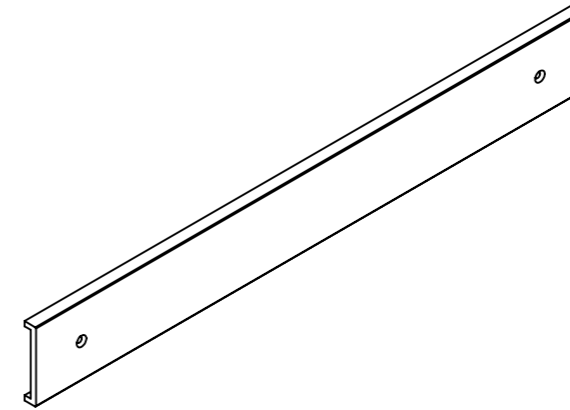
Permanent rung
11 pcs



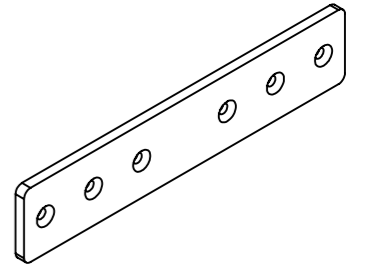
Mounting element
2 pcs



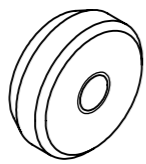
Engraved
Decorative Cover
1 pc



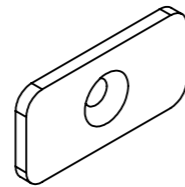
Decorative Cover
1 pc



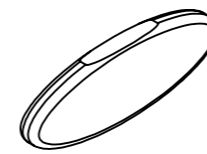
Steel Beam Fastener
2 pcs



Tracery
22 pcs



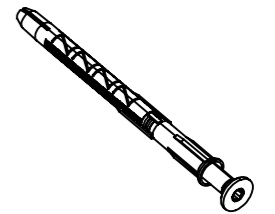
Rectangular Steel
Washer
2 pcs



Biscuit
4 pcs

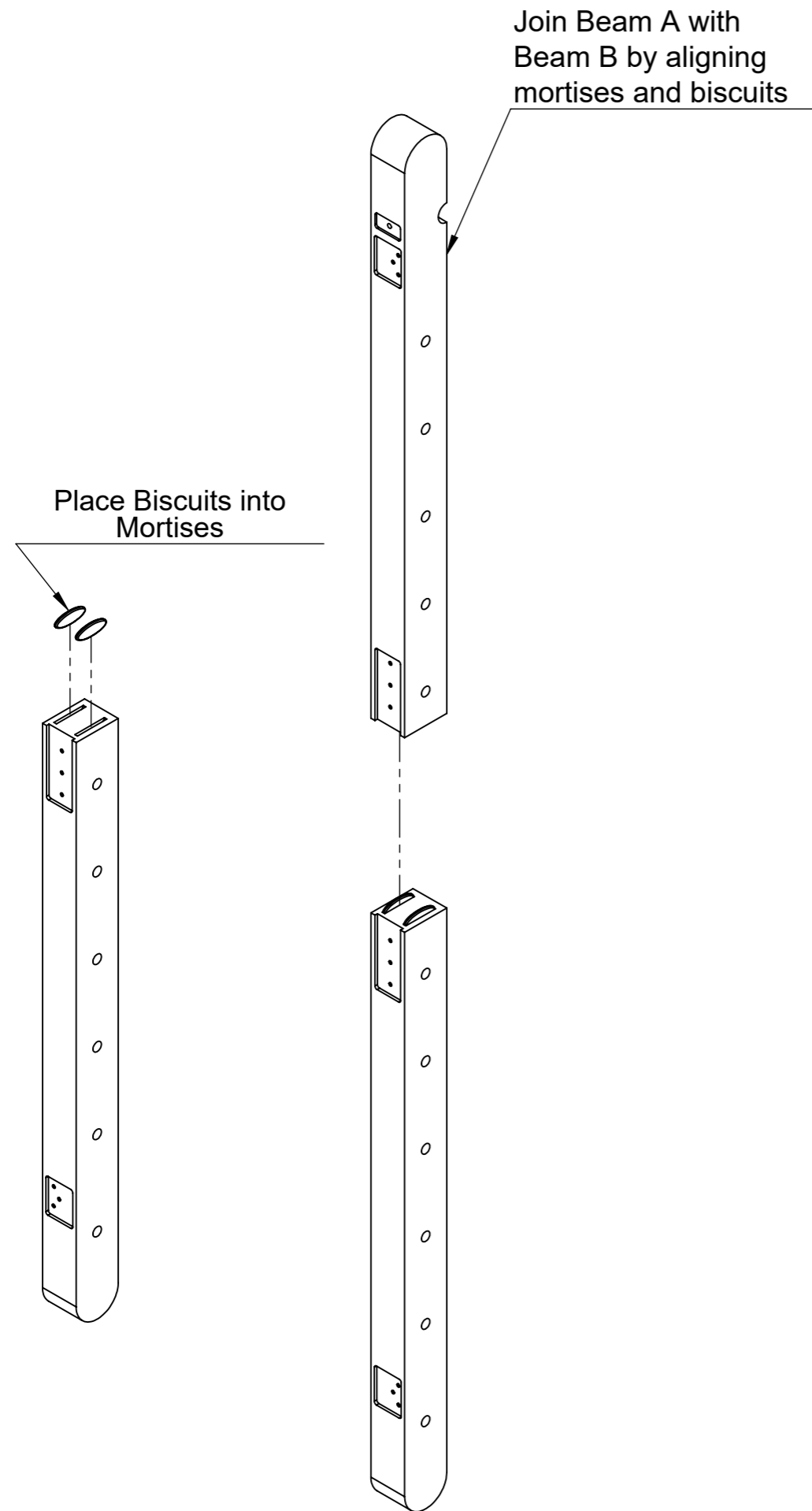


Countersunk Head Screw
M6x25 - 24 pcs
M6x15 - 4 pcs
M8x100 - 2 pcs

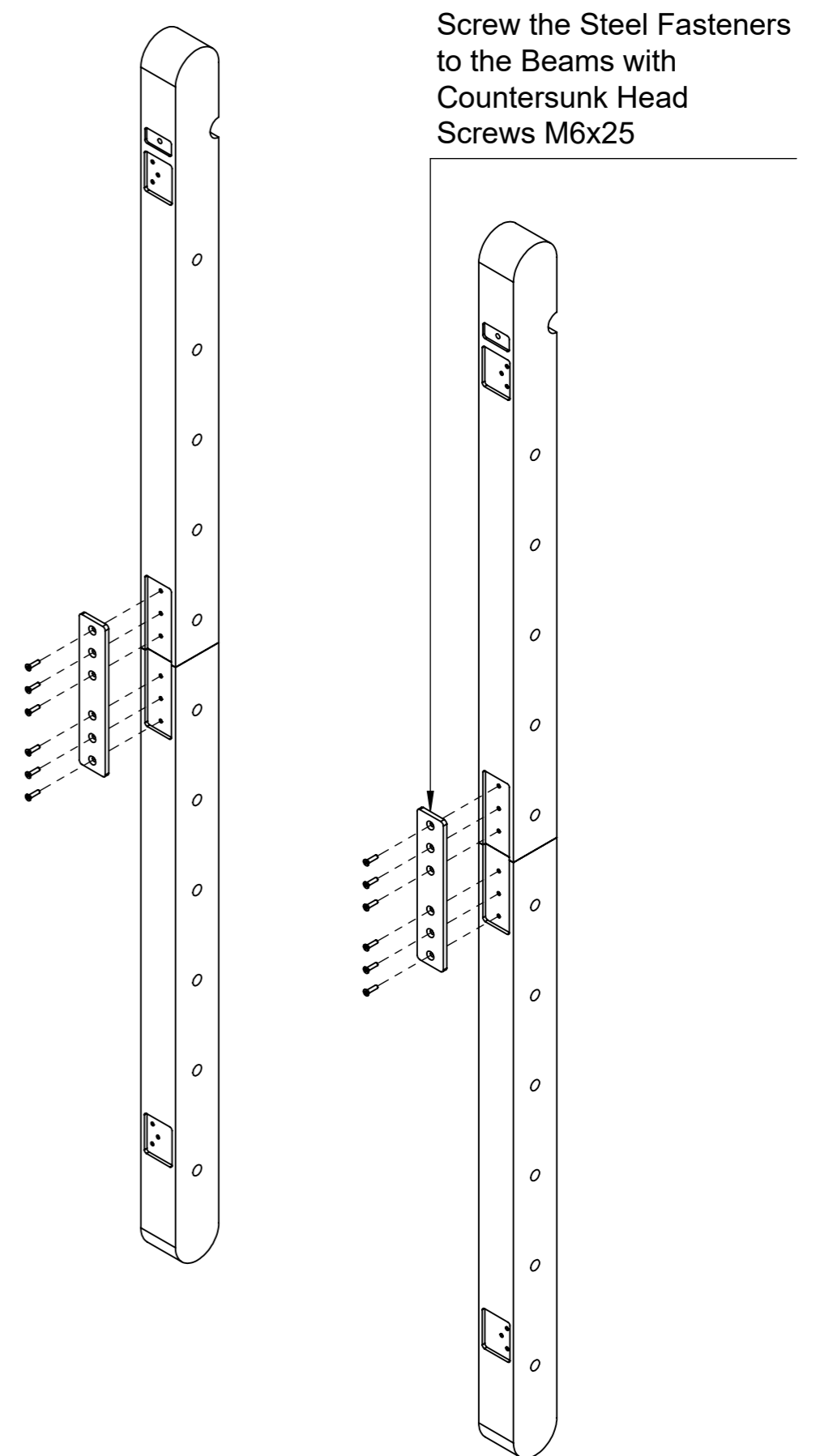


Wall Plug for
concrete walls
M8x80 - 12 pcs

STEP 1



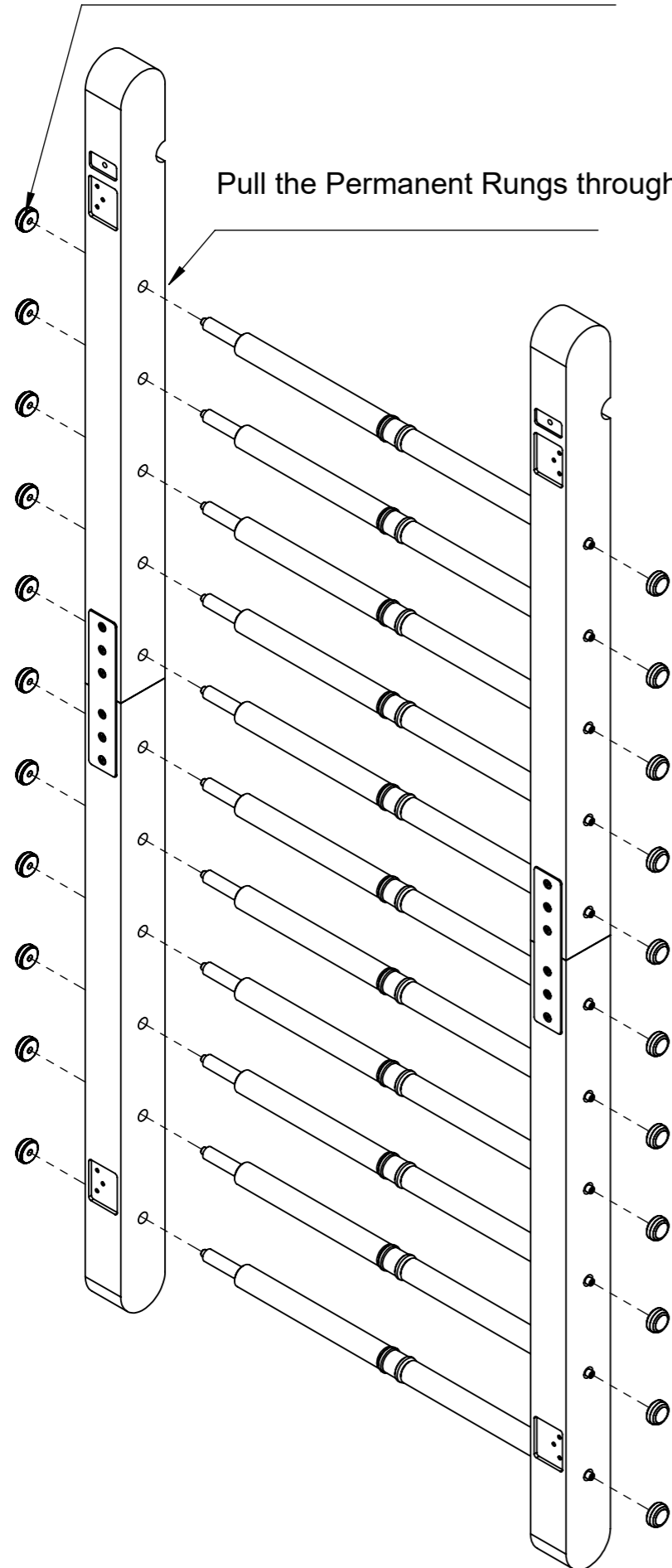
STEP 2



STEP 3

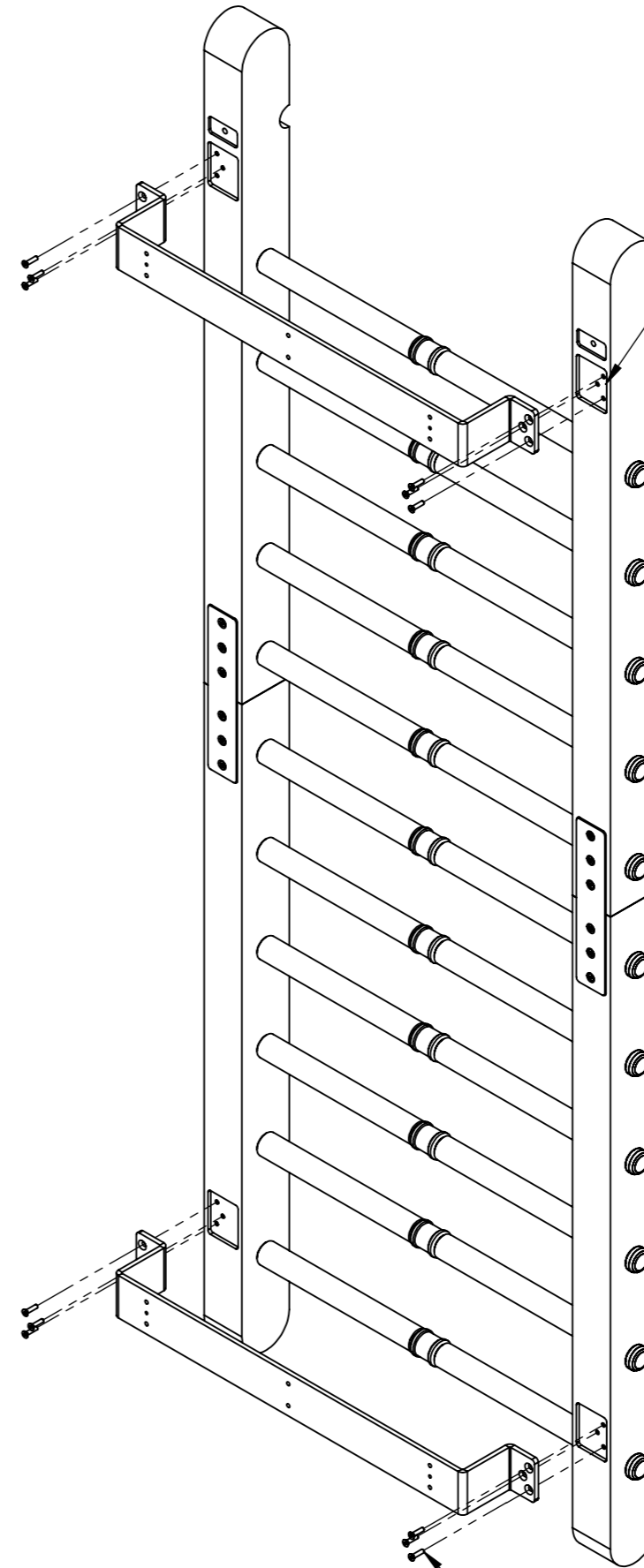
Secure the Rungs by tightening the outside Tracery

Pull the Permanent Rungs through holes in the Beams



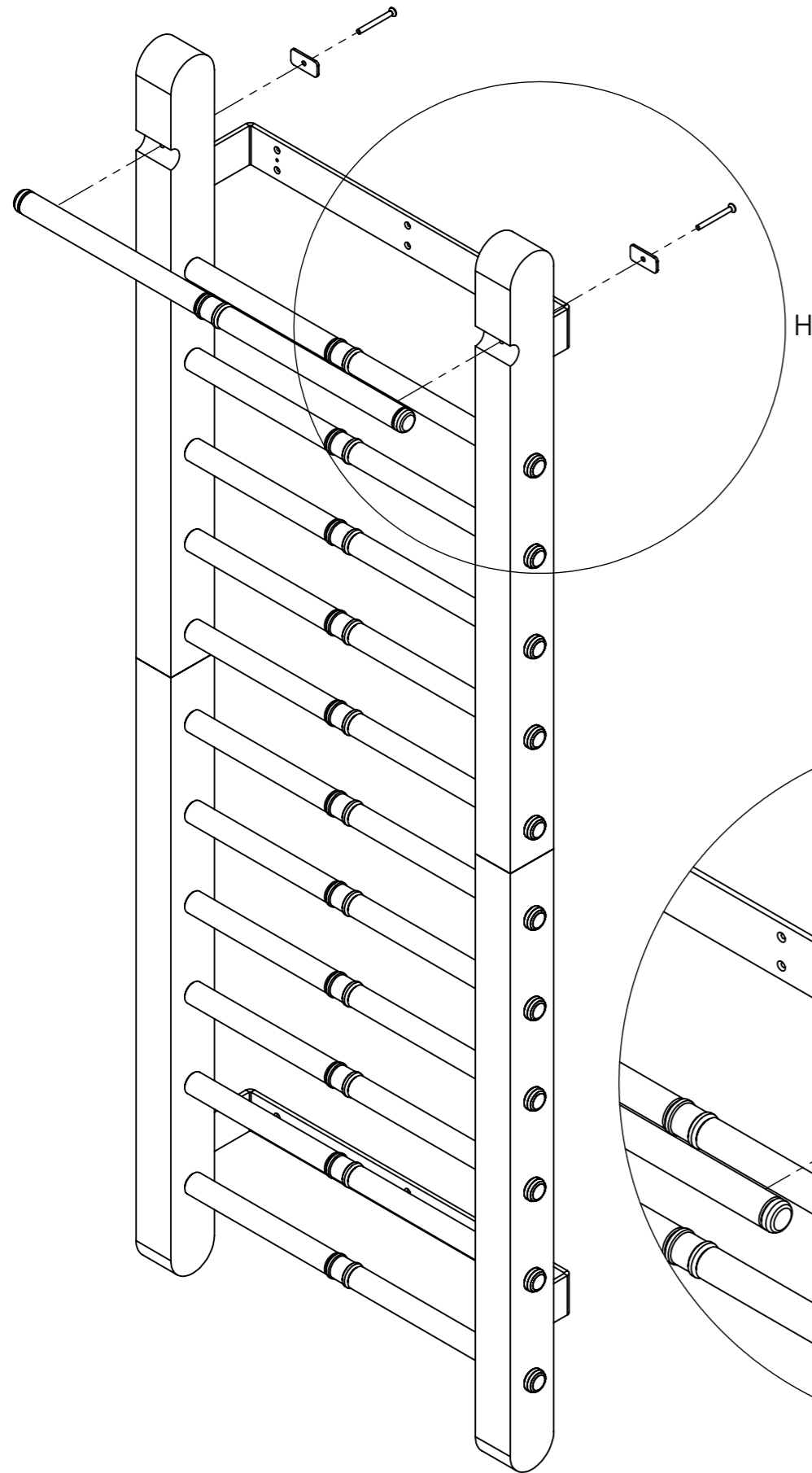
STEP 4

Fit Top and Bottom Mounting Elements into the sockets in the Beams



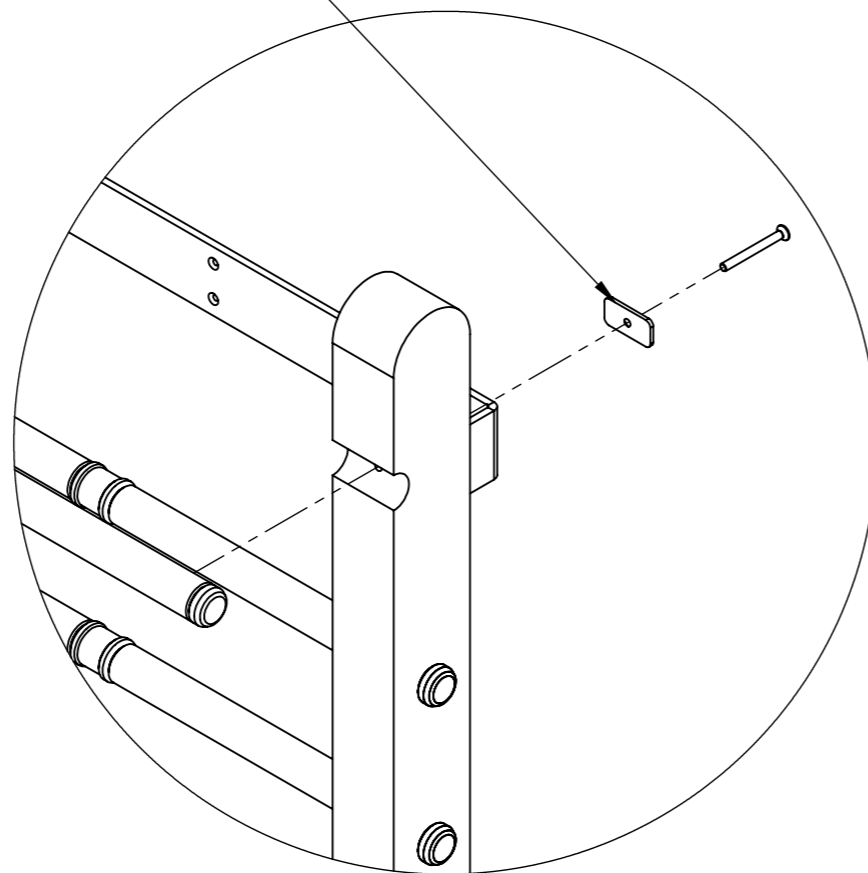
Tighten the Mounting Elements to the Beams with Countersunk Head Screws M6x25

STEP 5



Tighten the Top Permanent Rung with
Countersunk Head Screws M8x100.

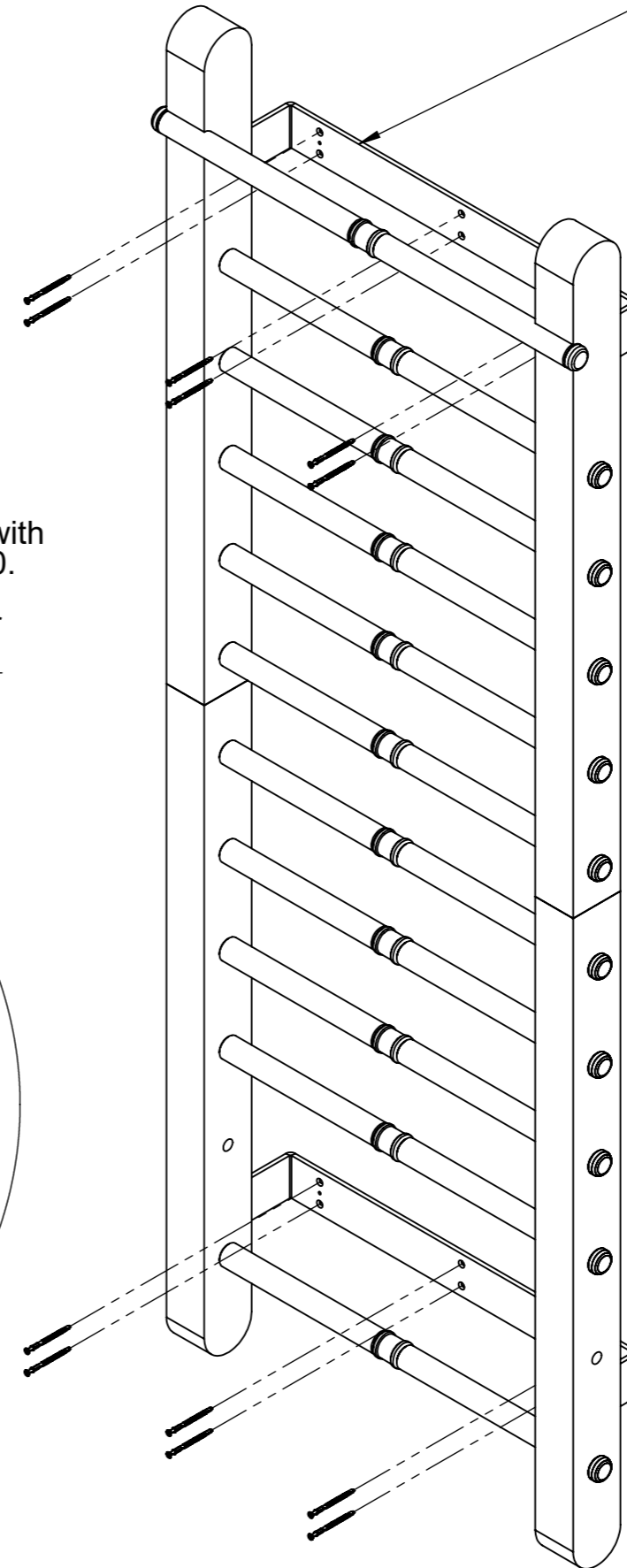
Use the Rectangular Metal Washer
included in the set



STEP 6

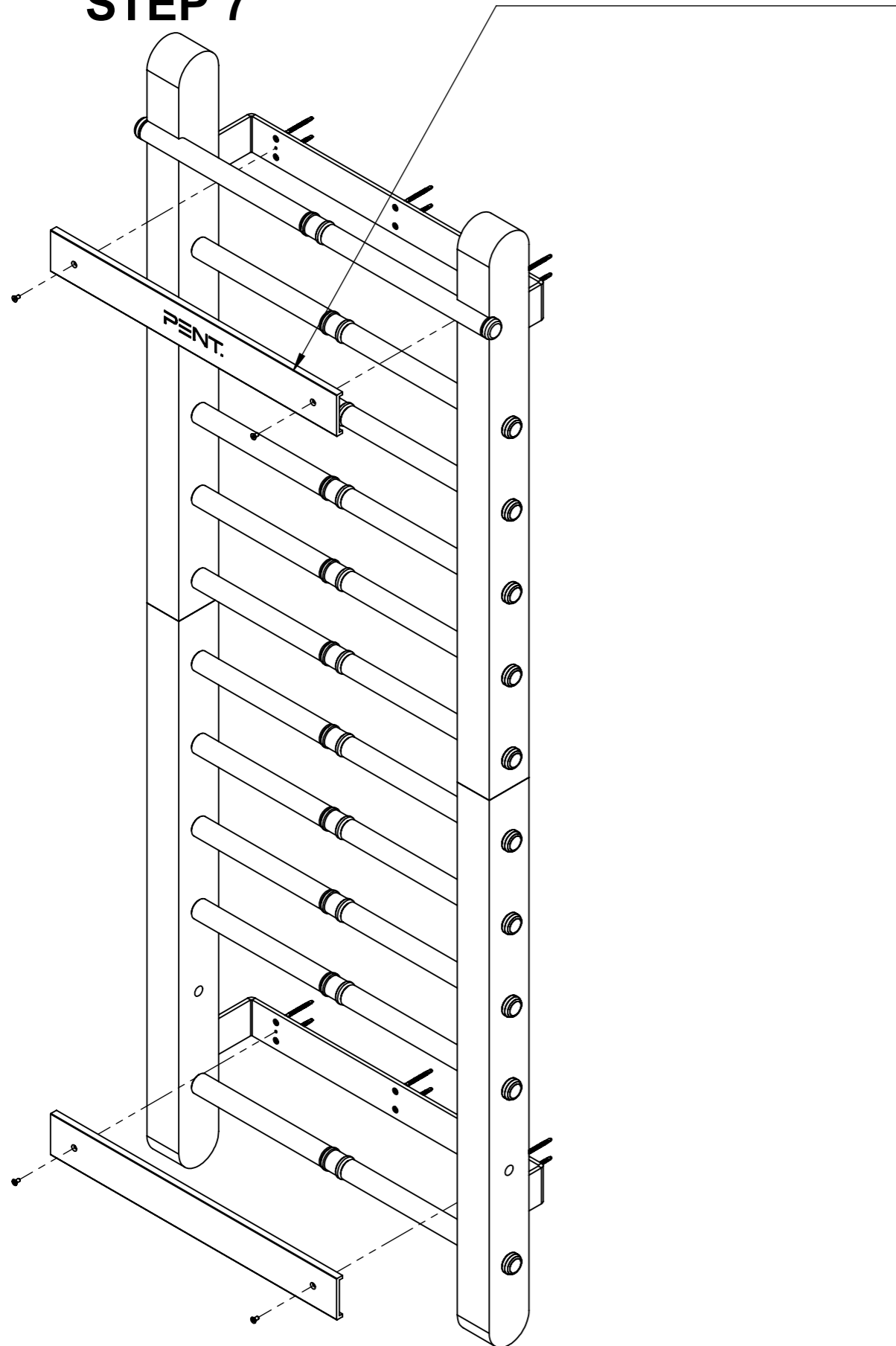
Make holes in the wall to place Wall
Plugs.

Mark the holes by placing a ladder
against the wall.
Then screw the ladder to the wall with
Countersunk Head Screws M8x80



Screw on the Decorative Elements to
cover Mounting Elements with
Countersunk Head Screws M6x15

STEP 7



FINISHED ASSEMBLY

